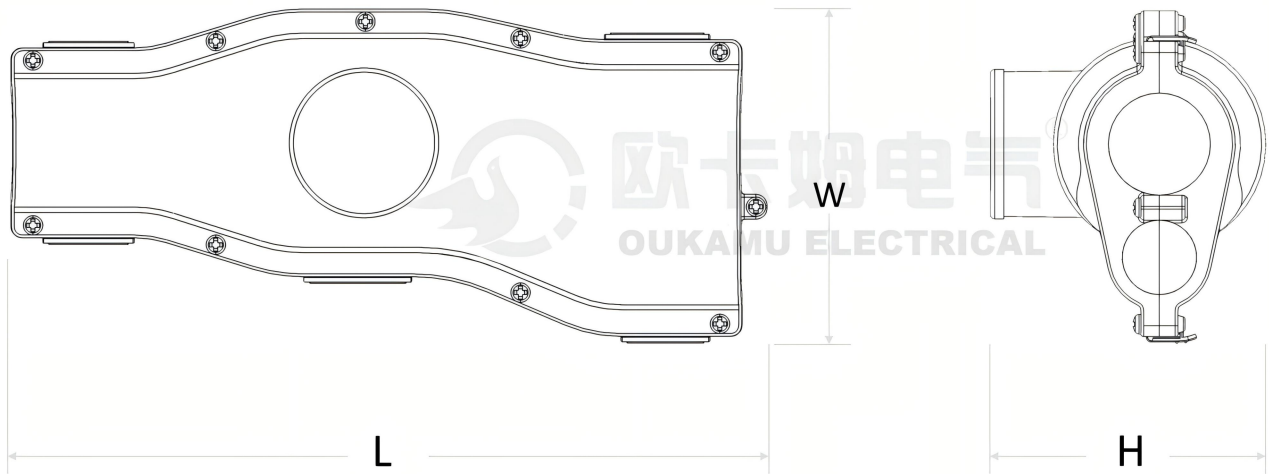




## WATERPROOF BRANCH CABLE



MODEL	Specification (cross-sectional area of cable core conductors (mm <sup>2</sup> ))		Technical Parameters		
	Main Cable (2~5 Cores)	Branch Cable (2~5 Cores)	Rated Voltage(kV)	Subloaded Current(A)	Size L*W*H(mm)
T-GJFZ-16/10	4~16	1.5~10	0.6/1	71	205*100*85
T-GJFZ-35/16	10~35	2.5~16	0.6/1	95	270*115*100
T-GJFZ-70/16	25~70	2.5~16	0.6/1	95	310*125*115
L-GJFZ-35/16	10~35	2.5~16	0.6/1	70	270*115*100
L-GJFZ-70/16	25~70	2.5~16	0.6/1	70	310*125*115



### TECHNICAL FEATURES

1. Integrated, small size, flexible installation location;
2. Insulating, flame retardant, fireproof, waterproof, and widely used;
3. Simple construction, easy maintenance, and reusable;
4. Standard products, no customization required;
5. Advanced technology, highlighting the quality of building electrical installations;
6. The main cable does not need to be cut or reserved.